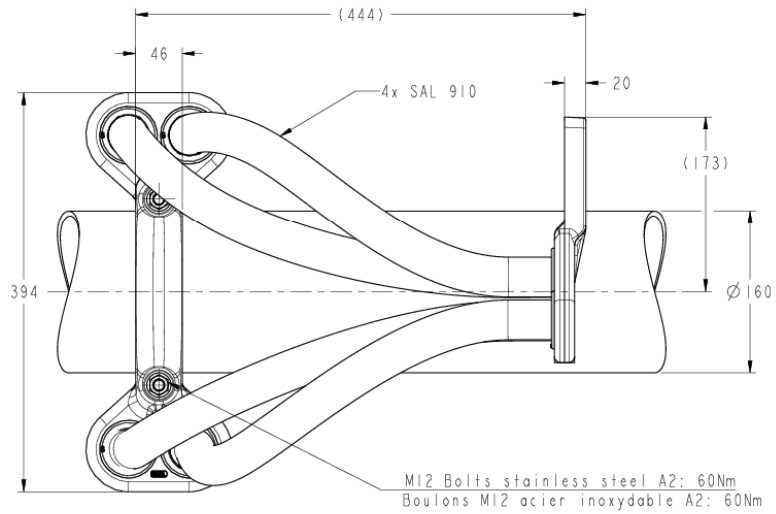
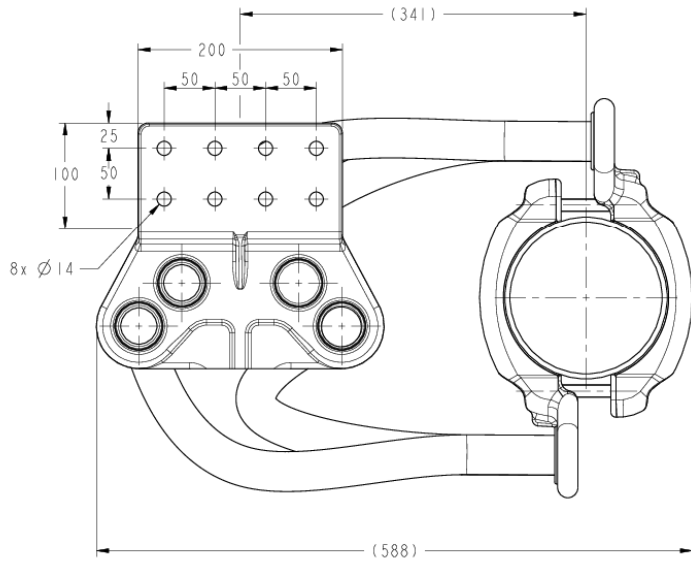
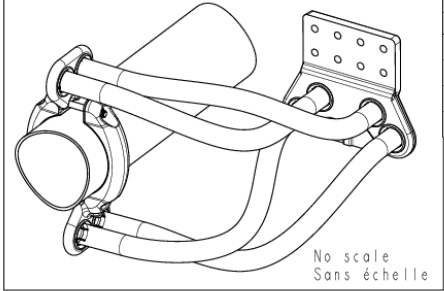


© 2022 TE Connectivity. All Rights Reserved.

REVISIONS

P	LTR	DESCRIPTION	DATE	DWN	APVD
A		CREATION	02SEP2022	RS	CG



THIS DRAWING IS A CONTROLLED DOCUMENT.		DWN RAVI S	02SEP2022	<b>STE</b> TE Connectivity
		CHK M. PREVOT	02SEP2022	
		APVD C. GLOMMEAU	02SEP2022	NAME EXPANSION CONNECTOR BUSBAR TO VERTICAL PAD RACCORD A DILATATION TUBE SUR PLAGE VERTICALE 5 TTPEL 82 T160 100x200 R90 49 LEFT SP
DIMENSIONS: mm		PRODUCT SPEC 108-69090-001		
TOLERANCES UNLESS OTHERWISE SPECIFIED:		APPLICATION SPEC		SIZE A 3
0 PLC	±	WEIGHT 12.4 kg		CAGE CODE 00779
1 PLC	±	CUSTOMER DRAWING		DRAWING NO C=2430303
2 PLC	±			RESTRICTED TO
3 PLC	±			SCALE 1:4
4 PLC	±			SHEET OF
ANGLES	±			REV A